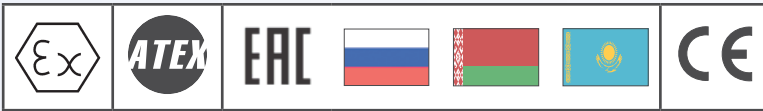


LBH series open elbows L shaped with small radius are used for the cables insertion in conduit system of electrical installations.  
The back opening enables an easy inspection of the installation and easy insertion of electrical cables.

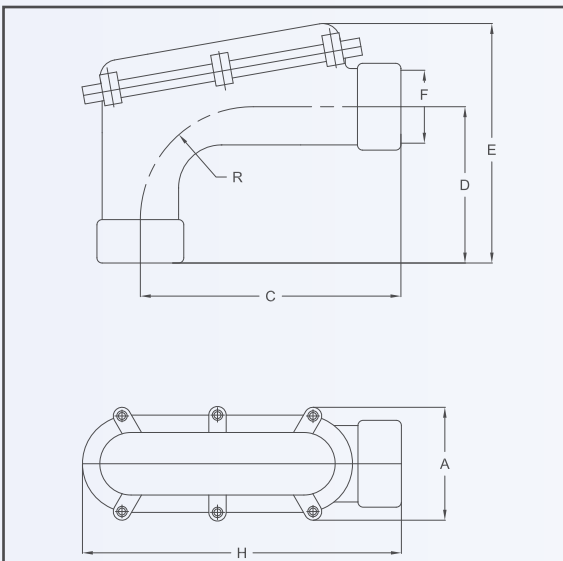


<b>Classification:</b> 2014/34/UE	Group II	Category 2G
<b>Installation:</b> EN 60079.14	zone 1 - zone 2 (Gas)	
<b>Marking:</b>	CE 0722 Ex II 2 G Ex d IIB	
<b>Certification:</b>	ATEX	CESI 03 ATEX 141U
	TR CU	AVAILABLE <small>All TR CU certification data can be downloaded at <a href="http://www.cortemgroup.com">www.cortemgroup.com</a></small>

<b>Standards:</b>	CENELEC EN 60079-0: 2006, EN 60079-1: 2004 and EUROPEAN DIRECTIVE 2014/34/UE IEC60079-0: 2011, IEC60079-1: 2007-04, IEC60079-31: 2008 Directive RoHS 2002/95/CE
-------------------	--------------------------------------------------------------------------------------------------------------------------------------------------------------------

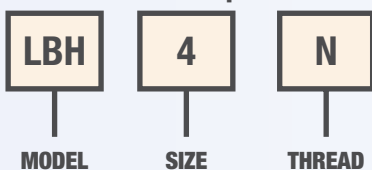
<b>Ambient Temp.:</b>	-20°C +60°C (Max. operating temperature +80°C)
-----------------------	------------------------------------------------

Certificates are available on [www.cortemgroup.com](http://www.cortemgroup.com)



SELECTION TABLE OF LBH OPEN ELBOWS								
Code In aluminium	Thread	Dimensions in mm						Weight Kg
		F	A	H	C	D	E	
LBH1	1/2" ISO 7/1	70	165	132	45	95	21	0,434
LBH2	3/4" ISO 7/1	70	165	132	45	95	21	0,404
LBH3	1" ISO 7/1	70	168	132	60	112	30	0,455
LBH4	1 ¼" ISO 7/1	100	230	175	83	155	50	1,277
LBH5	1 ½" ISO 7/1	110	265	220	83	132	70	1,142
LBH6	2" ISO 7/1	110	265	220	80	132	70	1,024
LBH7	2 ½" ISO 7/1	136	363	267	140	250	96	3,569
LBH8	3" ISO 7/1	136	363	267	140	250	96	3,171
LBH10	4" ISO 7/1	181	720	605	175	305	125	10,850

**Order code example**



**TECHNICAL NOTES:**

- Available also with NPT thread (example code LBH3N)
- Available also with ISO7/1RP thread (example code LBH2C)
- Available also with ISO METRIC thread (example code LBH4I)
- 1/4" and 3/8" sizes can be obtained by assembling to the 1/2" LBH1 elbow the corresponding RE114 or RE138